

LIR053436A Lithium Ion Battery

Brief Datasheet

1 Basic Specification

Nominal Voltage		3.7V
Nominal Capacity		600mAh (0.2C discharge)
Internal Resistance		40-80mΩ
Maximum Charge Current		1C
Maximum Discharge Current		1C
Charge Method		CC/CV (Constant Current/Constant Voltage) 0.5C for 5hrs; 1.0C for 2.5hrs
Charge Voltage		4.20V
Discharge cut-off voltage		2.75V
Operation Temperature	Charge	0°C to 45°C
	Discharge	-20°C to 60°C
Storage Temperature		-20°C to 60°C for less than 1 month -20°C to 45°C for less than 3 month -20°C to 25°C for less than 1 year
Cycle life		300 Cycles
Weight		Approx. 13.6g
Voltage of Shipment		3.70V-3.90V (about 50% capacity)

*1C = 1 Capacity

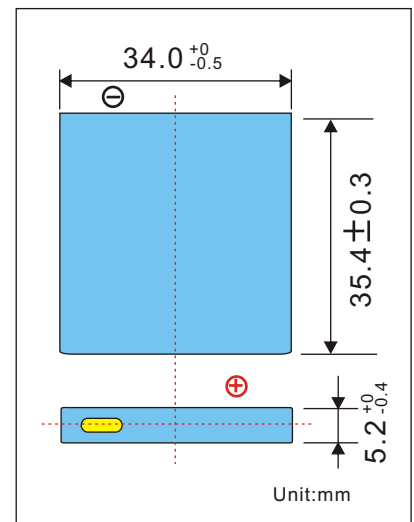
**"A" stands for Aluminium case

2 MAIN FEATURES

- Long shelf-life and low self-discharge rate.
- Easily customized, Energy density, High capacity.

3 WARNING

- Do not overcharge, force charge, short circuit, disassemble, deform, heat or place the battery near a direct flame. Any of the above actions could cause it to ignite, explode or become damaged.
- Keep this battery out of the reach of children.
- When storing the battery or throwing it away, be sure to cover with tape.



Note: Any representations in this brochure concerning performance, are for informational purposes only and are not construed as warranties either expressed or implied, of future performance.